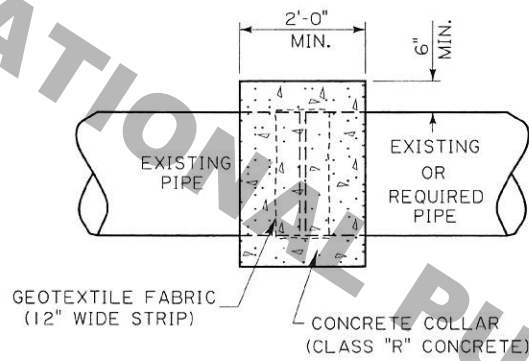


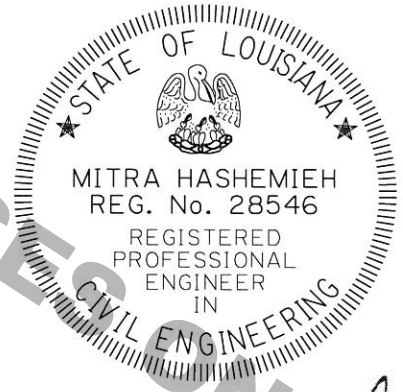
# CONCRETE COLLAR DETAIL

TO REPAIR EXISTING PIPE JOINT SEPARATION  
AND/OR  
TO CONNECT EXISTING PIPE TO NEW PIPE



**NOTES:**

- 1) NEW PIPE EXTENSION SHALL MATCH EXISTING PIPE IN MATERIAL TYPE AND SIZE BASED ON THE LATEST INDUSTRY STANDARDS.
- 2) WRAP PIPE JOINTS WITH GEOTEXTILE FABRIC BEFORE POURING CONCRETE. SEE SECTION 1019.01 OF THE CURRENT LA DOTD STD. SPECS.
- 3) COST OF COLLARS TO BE AS PER SECTION 701.13 OF THE CURRENT LADOTD STD. SPECS.



*M. Hashemieh*  
12/3/2015

<b>DOTD</b> HYDRAULICS SECT.	<b>CONCRETE COLLAR DETAIL</b>		4	12-3-15	Added Note and Changed Subtitle	MH	DESIGNED		PARISH		SHEET NUMBER
	SPECIAL DETAIL: COLLAR-01		3	10-15-03	Combined details and revised Note 2: Cost Of Collars	JET	CHECKED	KAJ	CONTROL	SECTION	
			2	7-10-01	Revised Notes and Added New Sheet	WMR	CHECKED	JCM	STATE	PROJECT	
			1	8-26-98	Added Special Detail Name COLLAR-01	JCM	SERIES	NUMBER	1	OF	1
			NO.	DATE	REVISION OR CHANGE ORDER DESCRIPTION	BY					